



New Product Announcement

AP7341

AP7341 - 300mA High PSRR Low Noise LDO

The AP7341 is a low dropout regulator with high output voltage accuracy, low $R_{DS(ON)}$, high PSRR, low output noise and low quiescent current.

It has fixed output voltage, 1.1V to 3.3V. The AP7341 provides high PSRR (75dB @ 1kHz) without the need for an external bypass capacitor and is ideal for noise sensitive applications such as audio, video and RF subsystems.

It's low power consumption combined with excellent line and load transient responses make the AP7341 ideally suited for low power handheld communication equipment's.

The AP7341 is packaged in a X2-DFN1010-4 package and allows for small footprint and high density PCB layout.



The Diodes Advantage

- **Wide Input Voltage, 1.7V to 5.25V**
Offers lower operation down to 1.7V supporting operation over whole range of Li-on battery cells.
- **High PSRR (75dB @ 1kHz) and low noise (60 μ Vrms @ 10Hz - 100kHz)**
Suitable for noise sensitive applications such as audio, video and RF sub-systems without the need for external bypass capacitors.
- **1.0% Output Accuracy @ room temp, 1.5% over -40°C to 85°C**
Maintains accuracy over all conditions
- **Miniaturized package, DFN1010-4 (1.0mmx1.0mmx0.39mm)**
The small package dimensions and thin height meets small footprint and low profile requirements of the latest portable equipment
- **Low Quiescent Current at 35uA**
Offer power saving in low-power and battery operated products

Circuit Functions

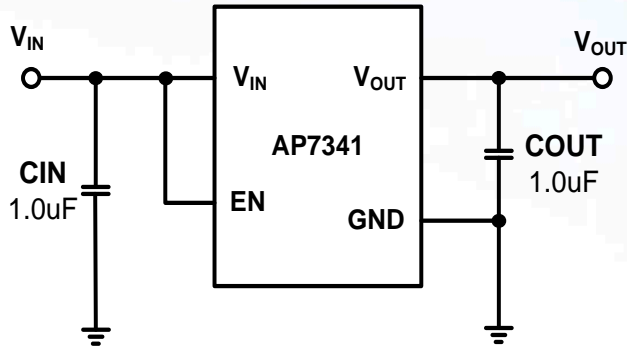
- Enable for shutdown with/without auto-discharge
- Fold-back short protection

Applications

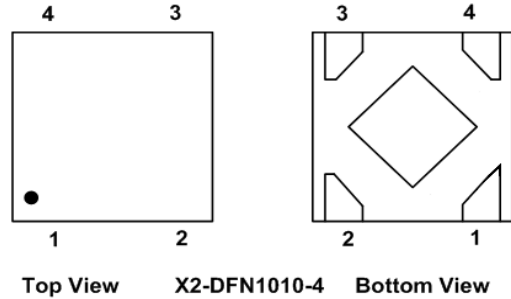
- RF supply
- Portable Video
- Wireless Adaptor
- Cameras
- Portable Media Player
- Wireless Communication



Typical Application Circuit



Package



PIN1-Vout,PIN2-GND,PIN3-EN,PIN4-VIN

Part Number	V _{IN} (V)	V _{OUT} (V)	I _{OUT} (mA)	V _{DROP} @ Full Load (mV)	I _Q (μA)	PSRR @1kHz (dB)	Noise (μVrms)	Output Accuracy (%)	Enable	BYPASS Cap	Package
AP7341	1.7 to 5.25	1.1,1.2, 1.5, 1.8, 1.85,2.2 2.5, 2.8, 2.85, 3.0, 3.1, 3.2, 3.3	300	300	36	75	60	1	Yes	No	DFN1010-4
AP2121	2.0 to 6.0	1.2, 1.3, 1.5, 1.8, 2.5, 2.8, 3.0, 3.2, 3.3	200	250 (except 1.2V/ 1.3V/1.5V)	25	70	30	2	Yes	No	SOT23 SOT25 CSP-4

AP7341X - XX FS4 - 7

