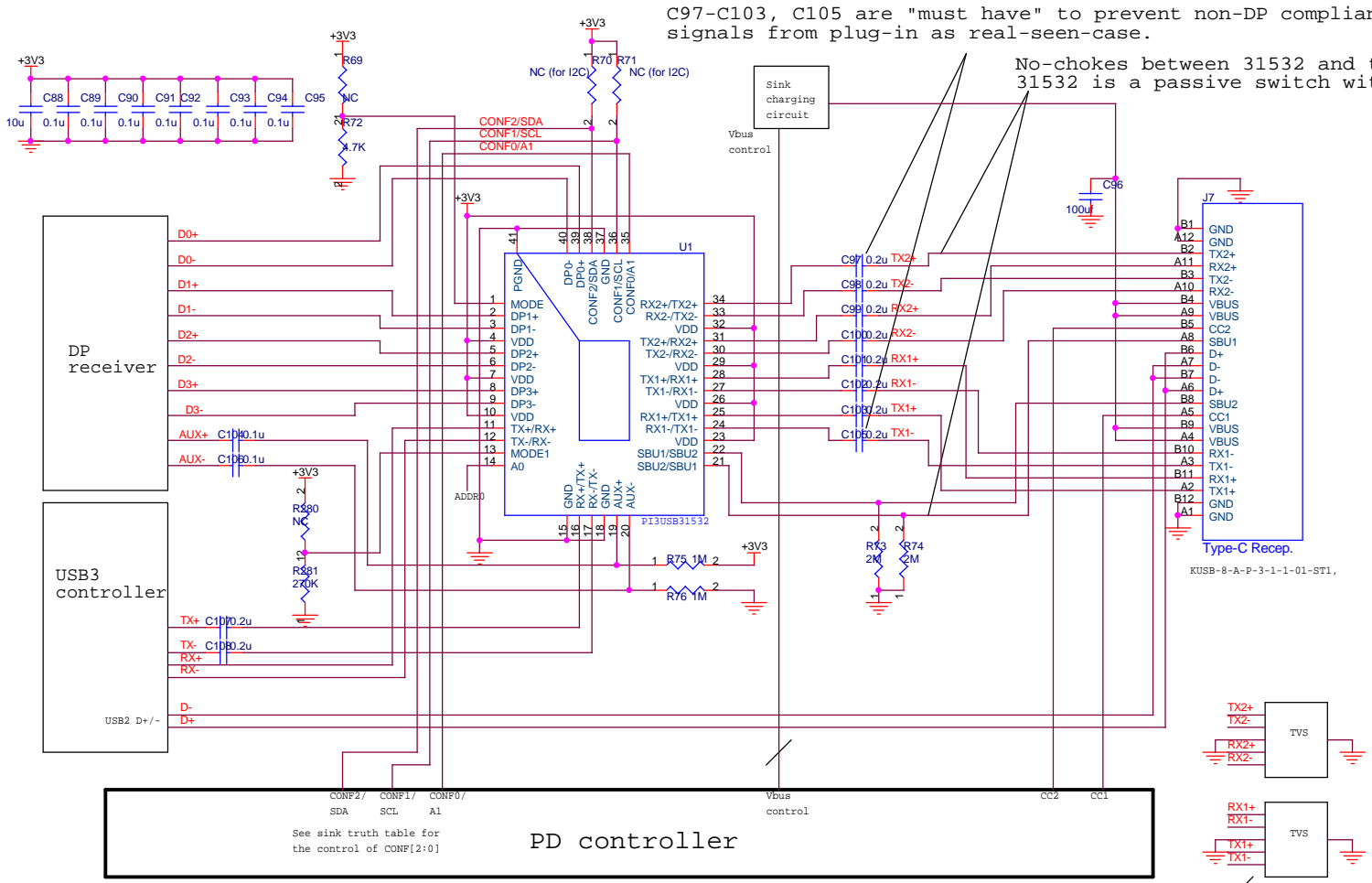


C97-C103, C105 are "must have" to prevent non-DP compliant 3.3V signals from plug-in as real-seen-case.

No-chokes between 31532 and type-C connector, because 31532 is a passive switch without EMI issue.



PI3USB31532 reference schematic for sink application

Contact Diodes local sales for TVS