



DATE: 9th February, 2021

PCN #: 2509

PCN Title: Qualified Additional FL Series Package (Automotive)

Dear Customer:

This is an announcement of change(s) to products that are currently being offered by Diodes Incorporated.

We request that you acknowledge receipt of this notification within 30 days of the date of this PCN. If you require samples for evaluation purposes, please make a request within 30 days as well. Otherwise, samples may not be built prior to this change. Please refer to the implementation date of this change as it is stated in the attached PCN form. Please contact your local Diodes sales representative to acknowledge receipt of this PCN and for any sample requests.

The changes announced in this PCN will not be implemented earlier than 90 days from the notification date stated in the attached PCN form.

Previously agreed upon customer specific change process requirements or device specific requirements will be addressed separately.

For questions or clarification regarding this PCN, please contact your local Diodes sales representative.

Sincerely,

Diodes Incorporated PCN Team



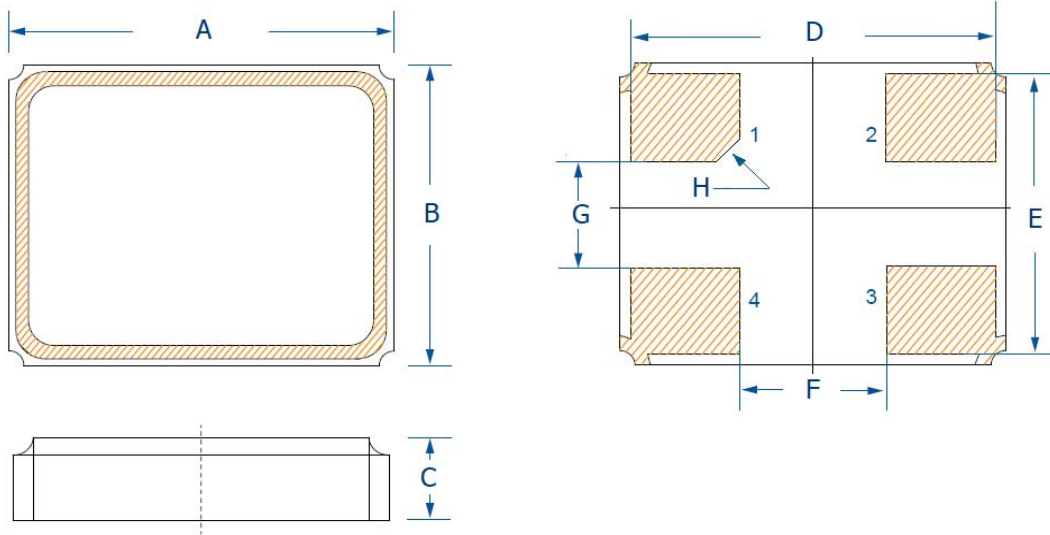
PRODUCT CHANGE NOTICE

PCN-2509 REV 1

Notification Date:	Implementation Date:	Product Family:	Change Type:	PCN #:
9 th February, 2021	9 th May, 2021	Analog Semiconductors (Automotive)	Qualified Additional Package	2509
TITLE				
Qualified Additional FL Series Package (Automotive)				
DESCRIPTION OF CHANGE				
<p>This PCN is being issued to notify customers that in order to assure continuity of supply, Diodes has qualified an additional FL series package TSP3225A1XRD28 as second source.</p> <p>Full electrical characterization and high reliability testing has been completed on representative part numbers to ensure no change to device functionality or electrical specifications in the datasheet. Refer to the attached Qualification Report embedded in this file (to view, download this PCN file then open it with a PDF viewer to see the attached qual report).</p>				
IMPACT				
Continuity of Supply. No change in data sheet electrical parameters and product performance.				
PRODUCTS AFFECTED				
<p>Table 1 - Qualified Additional Package TSP3225A1XRD28 as Second Source</p> <p>Table A – Package Outline Comparison (POD) Kyocera KD-VB9991 vs. CTCC TSP3225A1XRD28</p>				
WEB LINKS				
Manufacturer's Notice:	https://www.diodes.com/quality/product-change-notices/diodes-product-change-notices/			
For More Information Contact:	http://www.diodes.com/contacts			
Data Sheet:	http://www.diodes.com/products			
DISCLAIMER				
Unless a Diodes Incorporated Sales representative is contacted in writing within 30 days of the posting of this notice, all changes described in this announcement are considered approved.				

Table 1 - Qualified Additional Package TSP3225A1XRD28 (A51020066) as second source PKG					
FL0800003Q	FL0800004Q	FL0800005Q	FL0800008Q	FL0800009Q	FL0800011Q
FL0800014Q	FL0800020Q	FL0800023Q	FL0800025Q	FL0800026Q	FL0800031Q
FL0800037Q	FL0800041Q	FL0800045Q	FL0800048Q	FL0800049Q	FL0800050Q
FL0800054Q	FL0810001Q	FL0810003Q	FL0810009Q	FL1000013Q	FL1000014Q
FL1000018Q					

**Table A – Package Outline Comparison (POD)
Kyocera KD-VB9991 vs. CTCC TSP3225A1XRD28**



	Current Package	New Package	
Dim	KD-VB9991	TSP3225A1XRD28	Tolerance
A	3.20	3.20	±0.1
B	2.50	2.50	±0.1
C	0.58	0.54	±0.1
D	3.00	3.00	±0.13
E	2.30	2.30	±0.13
F	1.20	1.20	±0.13
G	0.70	0.70	±0.13
H	0.25	0.30	NA
All Dimensions in mm			

Summary of Changes:

1. Dimension C: from 0.58±0.1mm to 0.54±0.1mm.
2. Dimension H: from 0.25mm to 0.30mm.