

ZXLD1322EV2 USER GUIDE

DESCRIPTION

The ZXLD1322 is an inductive DC-DC converter, with an internal switch, designed for driving single or multiple LEDs in series up to a total of 700mA output current.

Applications cover input voltages ranging from 2.5V to 15V. Depending upon supply voltage and external components, this can provide up to 12W of output power.

The device employs a variable 'on' and 'off' time control scheme with adjustable peak switch current limiting and operates in Buck/Boost modes, offering higher power efficiency and lower system cost than conventional PFM buck/boost circuitry.

The device includes the DC-DC converter, a high-side current monitor and an NPN switching transistor to provide an integrated solution offering small PCB size, competitive cost/performance, high power efficiency of DC-DC conversion and maximum LED brightness/reliability. More importantly, it retains design flexibility to add customer specific features.

The feedback control circuitry inside the ZXLD1322 provides excellent load and current regulation, resulting in very stable LED current over the useful life of the battery and over the full operating temperature range.

The LED current can be adjusted from 100% down to 10% of the set value by applying a dc voltage to the ADJ pin and down to 1% by applying a PWM signal. An on-chip LED protection circuit also allows output current to be reduced linearly above a predetermined threshold temperature using an external thermistor at the TADJ pin.

External resistors set nominal average LED current and coil peak current independently.

The device can be shut down by applying a continuous low level dc voltage to the ADJ pin.

FEATURES

- 2.5V to 15V Input Voltage Range
- Up to 700mA output current
- Typical efficiency (*) : >80%
- User-defined thermal control of LED output current using external thermistor
- 12µA typical standby current
- LED current adjustable from 100% down to 1%
- Adjustable Soft-Start
- Capable of driving 3 LEDs in series (Total LED drop $V_F + V_{IN} \leq 18V$)

ORDERING INFORMATION

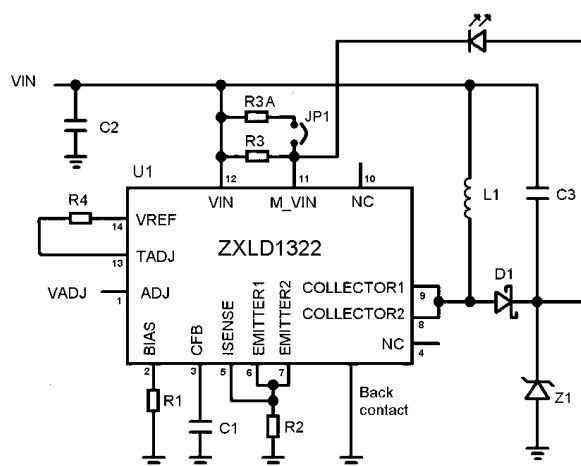
ORDER NUMBER
ZXLD1322EV2

Please note evaluation boards are subject to availability and qualified leads.

APPLICATIONS

- High Power LED flashlights
- LED back-up lighting
- General LED lighting

TYPICAL APPLICATION CIRCUIT



REFERENCE DESIGN

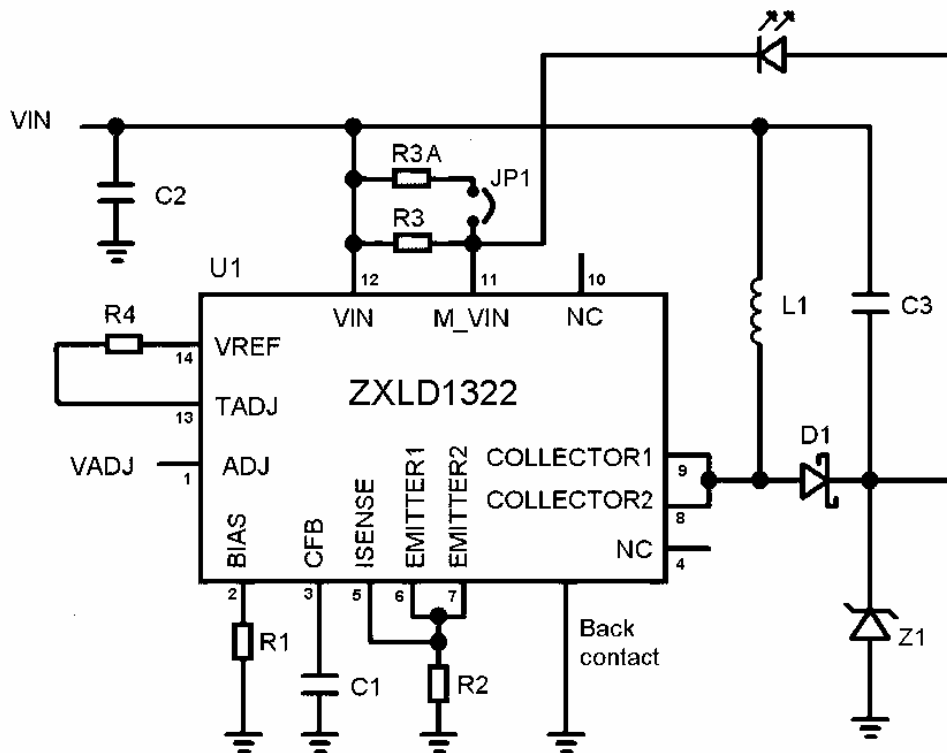
ZXLD1322EV2 evaluation board is designed with LED output connector which is compatible with the FLS Emitter Board connection standard. The target application is 330mA/500mA high current LED driver for single or multiple LEDs with wide input voltage range.

If the ZXLD1322EV2 is connected to 1 off-board LED, the supply voltage is: VIN=2.5V ~ 6V.

The ZXLD1322V1 boards are initially set at LED current of around 330mA with 300mΩ (R3) current sensing resistor. In order to boost the LED current to 500mA, on-board 620mΩ (R3A) could be made parallel to R3 by means of soldering jumper pad JP1.

For other reference designs or further applications information please refer to the ZXLD1322 datasheet.

SCHEMATIC DIAGRAM

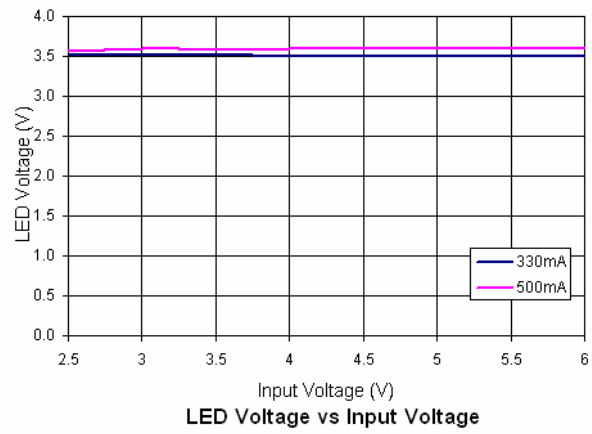
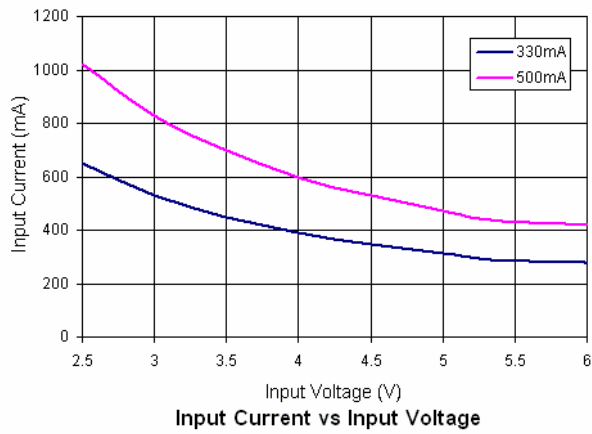
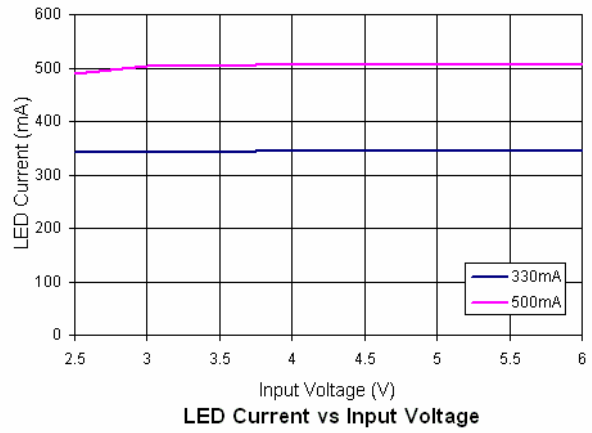
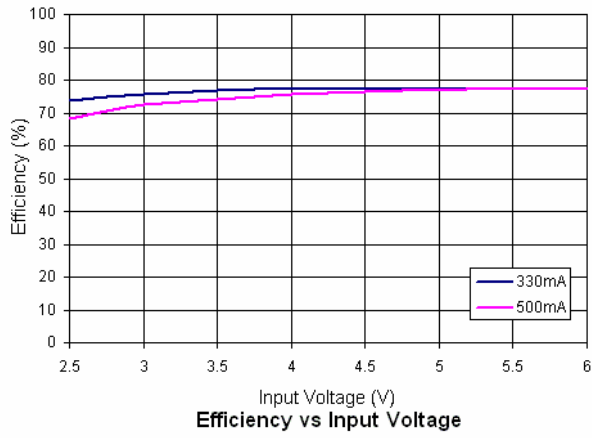


Materials List

Ref	Value	Package	Part Number	Manufacturer	Contact Details
U1	LED Driver	DFN14	ZXLD1322DCC	Zetex	www.zetex.com
D1	Schottky Diode	SOT23-6	ZHCS2000	Zetex	www.zetex.com
L1	10uH 2A		MSS7341-103ML NPIS64D100MTRF 744-777910	Coilcraft NIC Comps. Würth	www.coilcraft.com www.niccomp.com www.we-online.com
C1	10nF 10V	0603	Generic	Generic	
C2	4.7uF 50V	1206	GRM31CR71H475K	Murata	www.murata.com
C3	4.7uF 50V	1206	GRM31CR71H475K	Murata	www.murata.com
R1	430Ω	0805	Generic	Generic	
R2	25m Ω	0603	Generic	Generic	
R3	300mΩ	0805	Generic	Generic	
R3A	620mΩ	0805	Generic	Generic	
R4	5.1KΩ	0603	Generic	Generic	
Z1	18V 3W Zener	DO-214AC	BZG03C18	Vishay	www.vishay.com

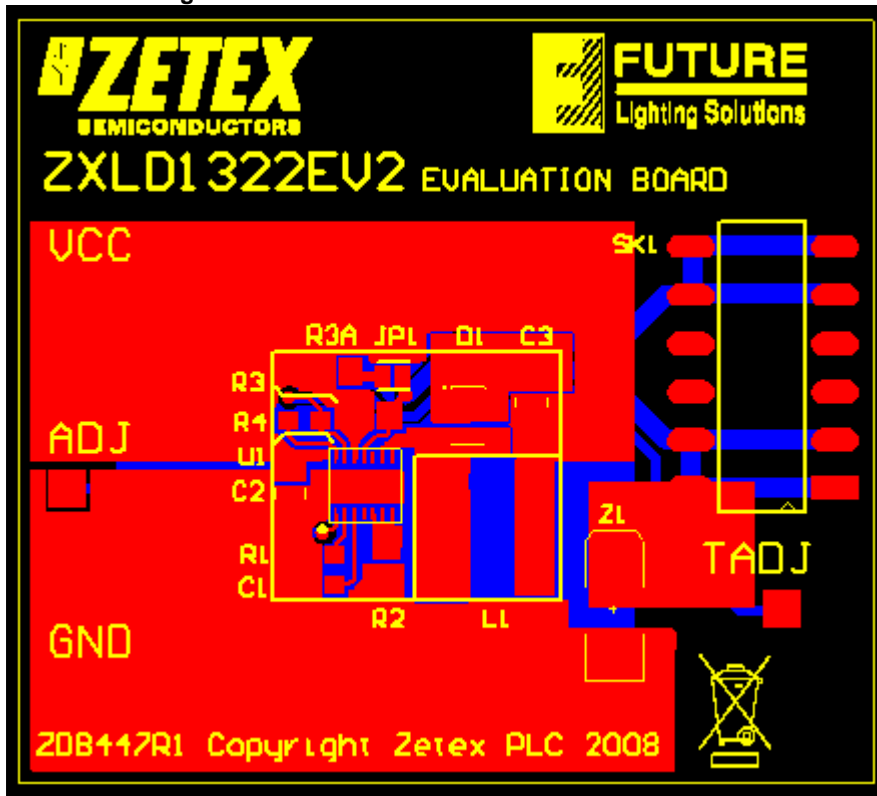
PERFORMANCE

Graphs



ZXLD1322EV2 OPERATION

Connection diagram



ZXLD1322EV2 Set-up and Test

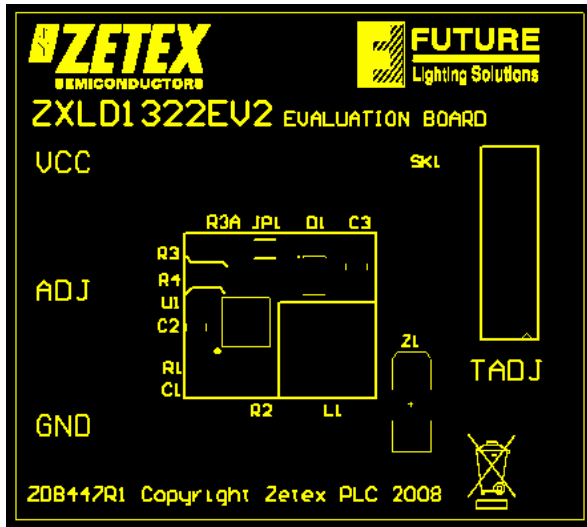
1. Preset PSU to 3V with current limit around 700mA
2. Connect the FLS Emitter board to LED output socket respectively.
3. Connect V_{IN} and GND to positive and zero volts of PSU supply respectively.
4. Turn on PSU.
5. The LED should illuminate and be regulated at 330mA/ 500mA +/-5%.
6. Input current should measure between 300mA and 500mA for 330mA board and between 400mA and 600mA for 500mA board.

Caution: Please make sure the FLS Emitter board is connected to the EV board before applying of power. FLS Emitter board with appropriate current rating should be used.

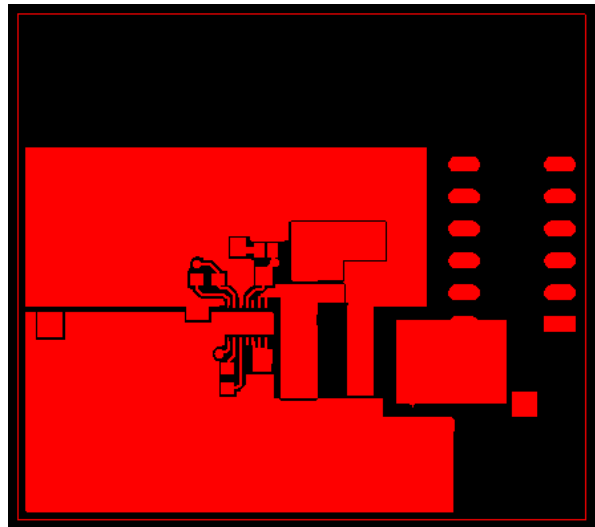
Layout considerations

PCB tracks should be kept as short as possible to minimize ground bounce, and the ground pin of the device should be soldered directly to the ground plane. It is particularly important to mount the coil and the input/output capacitors close to the device to minimize parasitic resistance and inductance, which will degrade efficiency. The VIN pin is prone to noise. Input decoupling capacitor C2 should be kept as close as possible between the VIN and GND pin. Enough copper should be attached to the GND pin (exposed pad) for heat-sinking purposes. In this EV board, the copper area is at the bottom layer, connected to the exposed pad through a few plated through holes.

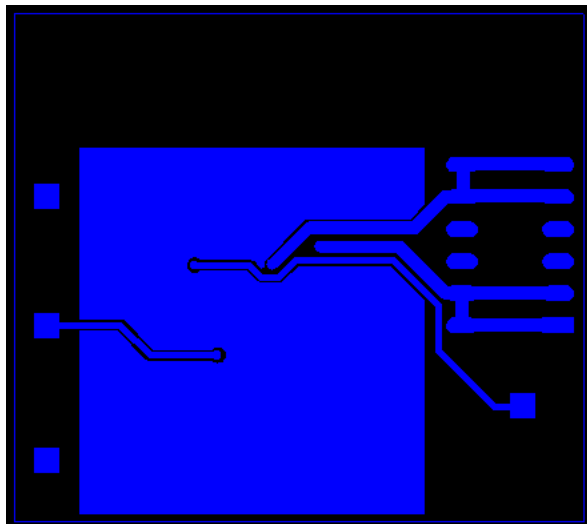
Below is the recommended layout of the ZXLD1322EV2.



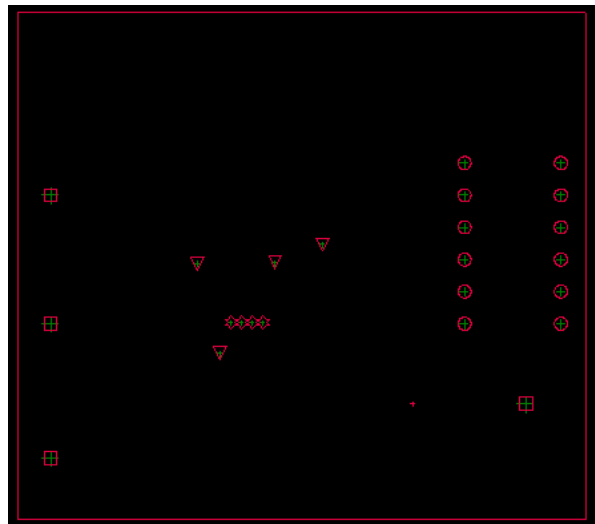
Top Silk



Top Copper



Bottom Copper



Drill File

Definitions

Product change

Zetex Semiconductors reserves the right to alter, without notice, specifications, design, price or conditions of supply of any product or service. Customers are solely responsible for obtaining the latest relevant information before placing orders.

Applications disclaimer

The circuits in this design/application note are offered as design ideas. It is the responsibility of the user to ensure that the circuit is fit for the user's application and meets with the user's requirements. No representation or warranty is given and no liability whatsoever is assumed by Zetex with respect to the accuracy or use of such information, or infringement of patents or other intellectual property rights arising from such use or otherwise. Zetex does not assume any legal responsibility or will not be held legally liable (whether in contract, tort (including negligence), breach of statutory duty, restriction or otherwise) for any damages, loss of profit, business, contract, opportunity or consequential loss in the use of these circuit applications, under any circumstances.

Life support

Zetex products are specifically not authorized for use as critical components in life support devices or systems without the express written approval of the Chief Executive Officer of Zetex Semiconductors plc. As used herein:

- A. Life support devices or systems are devices or systems which:
 1. are intended to implant into the body

or

- 2. support or sustain life and whose failure to perform when properly used in accordance with instructions for use provided in the labeling can be reasonably expected to result in significant injury to the user.
- B. A critical component is any component in a life support device or system whose failure to perform can be reasonably expected to cause the failure of the life support device or to affect its safety or effectiveness.

Reproduction

The product specifications contained in this publication are issued to provide outline information only which (unless agreed by the company in writing) may not be used, applied or reproduced for any purpose or form part of any order or contract or be regarded as a representation relating to the products or services concerned.

Terms and Conditions

All products are sold subjects to Zetex' terms and conditions of sale, and this disclaimer (save in the event of a conflict between the two when the terms of the contract shall prevail) according to region, supplied at the time of order acknowledgement. For the latest information on technology, delivery terms and conditions and prices, please contact your nearest Zetex sales office.

Quality of product

Zetex is an ISO 9001 and TS16949 certified semiconductor manufacturer. To ensure quality of service and products we strongly advise the purchase of parts directly from Zetex Semiconductors or one of our regionally authorized distributors. For a complete listing of authorized distributors please visit: www.zetex.com/salesnetwork Zetex Semiconductors does not warrant or accept any liability whatsoever in respect of any parts purchased through unauthorized sales channels.

ESD (Electrostatic discharge)

Semiconductor devices are susceptible to damage by ESD. Suitable precautions should be taken when handling and transporting devices. The possible damage to devices depends on the circumstances of the handling and transporting, and the nature of the device. The extent of damage can vary from immediate functional or parametric malfunction to degradation of function or performance in use over time. Devices suspected of being affected should be replaced.

Green compliance

Zetex Semiconductors is committed to environmental excellence in all aspects of its operations which includes meeting or exceeding regulatory requirements with respect to the use of hazardous substances. Numerous successful programs have been implemented to reduce the use of hazardous substances and/or emissions. All Zetex components are compliant with the RoHS directive, and through this it is supporting its customers in their compliance with WEEE and ELV directives.

Product status key:

- "Preview" Future device intended for production at some point. Samples may be available
- "Active" Product status recommended for new designs
- "Last time buy (LTB)" Device will be discontinued and last time buy period and delivery is in effect
- "Not recommended for new designs" Device is still in production to support existing designs and production
- "Obsolete" Production has been discontinued

Datasheet status key:

- "Draft version" This term denotes a very early datasheet version and contains highly provisional information, which may change in any manner without notice.
- "Provisional version" This term denotes a pre-release datasheet. It provides a clear indication of anticipated performance. However, changes to the test conditions and specifications may occur, at any time and without notice.
- "Issue" This term denotes an issued datasheet containing finalized specifications. However, changes to specifications may occur, at any time and without notice.

Europe	Americas	Asia Pacific	Corporate Headquarters
Zetex GmbH Kustermann-park Balanstraße 59 D-81541 München Germany Telefon: (49) 89 45 49 49 0 Fax: (49) 89 45 49 49 49 europe.sales@zetex.com	Zetex Inc 700 Veterans Memorial Highway Hauppauge, NY 11788 USA Telephone: (1) 631 360 2222 Fax: (1) 631 360 8222 usa.sales@zetex.com	Zetex (Asia Ltd) 3701-04 Metroplaza Tower 1 Hing Fong Road, Kwai Fong Hong Kong Telephone: (852) 26100 611 Fax: (852) 24250 494 asia.sales@zetex.com	Zetex Semiconductors plc Zetex Technology Park, Chadderton Oldham, OL9 9LL United Kingdom Telephone (44) 161 622 4444 Fax: (44) 161 622 4446 hq@zetex.com

© 2006 Published by Zetex Semiconductors plc.