

General Description

The PAM2841 is a step-up current mode LED Driver. The PAM2841 supports a range of input voltages from 2.5V to 5.5V, allowing the use of a single Li+/Li- polymer cell, 3AA cell battery, USB, and other stand-alone power sources. PAM2841 employs internal power switch to minimize external components count and yield a high efficiency (~80%).

A bill of material, schematics, and layout are included that describes the parts used on this demonstration board along with measured performance characteristics. These materials can be used as a reference design.

Key Features

- Capable of Driving 10 or More WLEDs
- Chip Enable with Soft-Start
- Analog and PWM Dimming
- Efficiency up to 80%
- Low Quiescent Current
- 1MHz Fixed Frequency
- Under-Voltage Lockout
- Open/Short Protection
- Thermal Shutdown

Applications

- WLED Driver System

PAM2841EV1 Specifications

Parameter	Value
Input Voltage	2.5 to 5.5Vdc
LED Current	20mA (Adjustable)
Number of LEDs	10
XYZ Dimension	2.2" x 1.1" x 0.4"

Evaluation Board

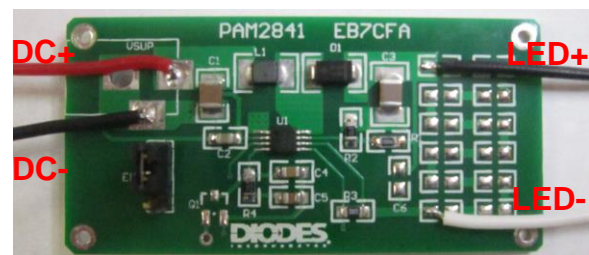


Figure 1: Top View



Figure 2: Bottom View

Connection Instructions

Input Voltage: 2.5 to 5.5Vdc (DC+, DC-)
 LED Outputs: LED+ (Black), LED- (White)

Evaluation Board Schematic

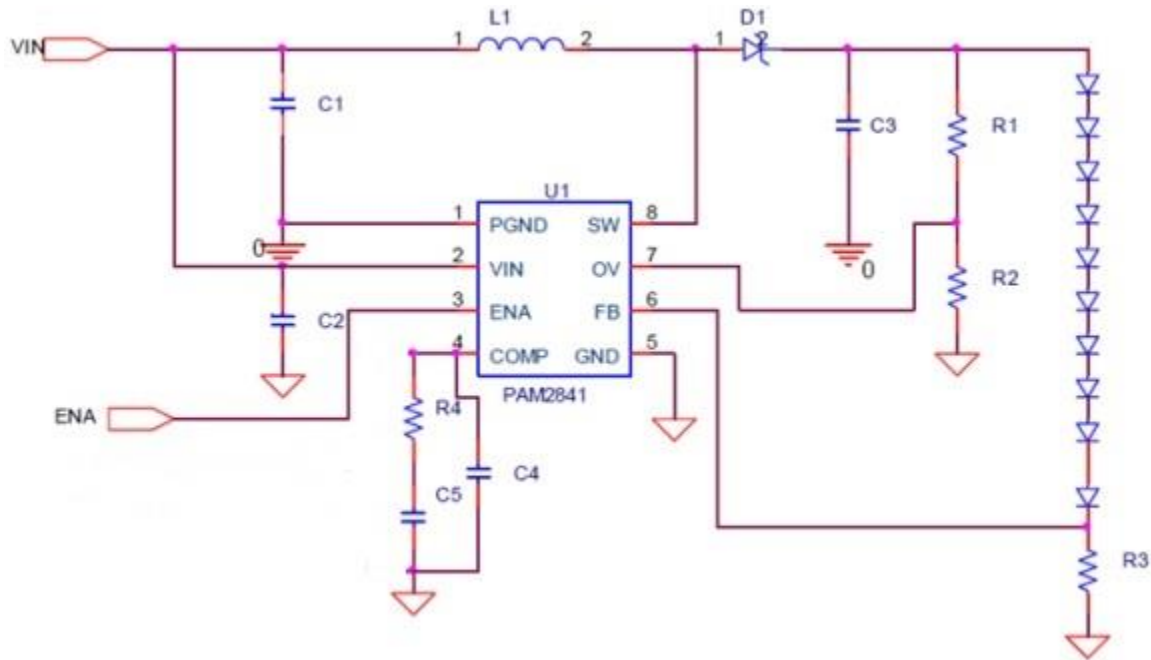


Figure 3: Evaluation Board Schematic

Evaluation Board Layout

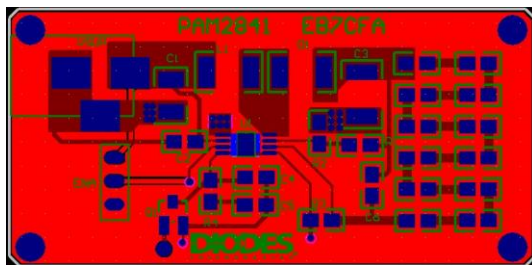


Figure 4: PCB Layout Top View

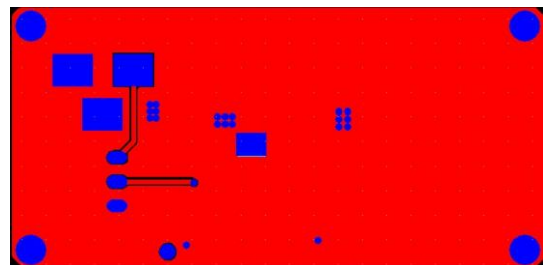


Figure 5: PCB Layout Bottom View

Quick Start Guide

1. By default, the evaluation board is preset at 20mA LED Current by R3 (10 Ohm).
2. Ensure that the DC source is switched OFF or disconnected.
3. Connect the 2.5 to 5.5Vdc DC line wires of power supply to DC+ and DC- on the board.
4. Connect the anode wire of external LED string to LED+ output test point.
5. Connect the cathode wire of external LED string to LED- output test point.
6. Turn on the main switch. LED string should light up.

Bill of Material

#	Name	Quantity	Part number	Manufacturer	Description
1	IC1	1	PAM2841	Diodes Inc	LED Driver MSOP-8
2	C1	1	GRM21R71C106B	Murata	10 μ F Cer Cap 10V 10% X5R 1210
3	C2	1	GRM21R71C105B	Murata	1 μ F Cer Cap 10V 10% X5R 0805
4	C3	1	GRM21R71C105B	Murata	1 μ F Cer Cap 50V 10% X5R 1210
5	C4	1	GRM21R71C103B	Murata	10nF Cer Cap 10V 10% X5R 0805
6	C5	1	GRM21R71C102B	Murata	1nF Cer Cap 10V 10% X5R 0805
7	R1	1	RC0805JR-07910KL	Yageo	910k Ω Resistor 1/8W 5% 0805 SMD
8	R2	1	RC0805JR-0727KL	Yageo	27k Ω Resistor 1/8W 5% 0805 SMD
9	R3	1	RC0805JR-0710RL	Yageo	10 Ω Resistor 1/8W 1% 0805 SMD
10	R4	1	RC0805JR-072KL	Yageo	2k Ω Resistor 1/8W 5% 0805 SMD
11	L1	1	LQH32CN220K	Murata	22 μ H, 1A Inductor 1210
12	D1	1	ES11QS04	Nihon	1A Schottky diode 1210 SMD
13	PCB	1	PAM2841 EB7CFA		

Functional Performance (10 LEDs @20mA)

V _{in} (DC)	P _{in} (W)	V _{out} (V)	I _{out} (mA)	P _{out} (W)	Efficiency (%)	# of LEDs
2.5	0.888	26.76	19.84	0.531	59.80	10
3	0.753	26.76	19.66	0.526	69.86	
3.5	0.717	26.76	19.97	0.534	74.52	
4	0.701	26.76	19.99	0.535	76.31	
4.5	0.683	26.76	20.05	0.537	78.56	
5	0.682	26.76	20.05	0.537	78.67	
5.5	0.685	26.76	20.16	0.540	78.79	

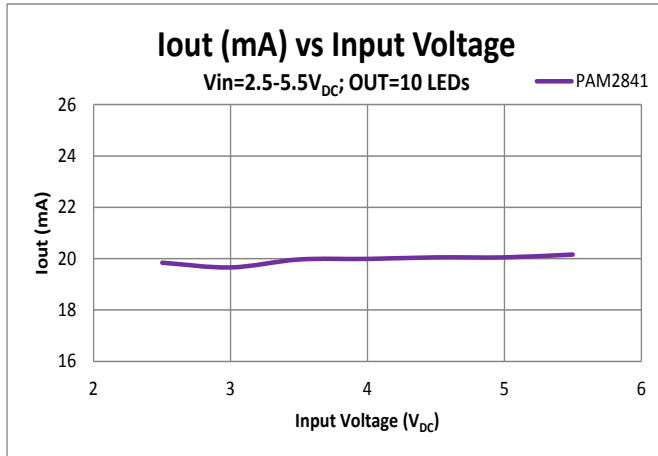


Figure 6 Vin (DC) vs. Iout (mA)

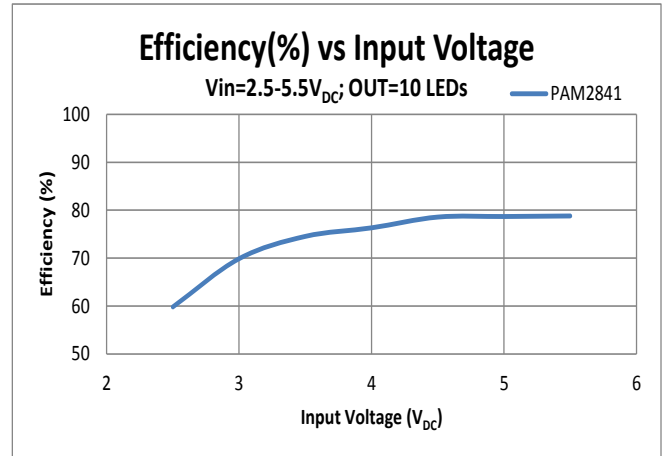


Figure 7 Vin (DC) vs. Efficiency (%)

Application Information

Setting the Output Current:

The internal feedback (FB) voltage is 0.2V (Typical). The output current is calculated as below:
 $I_{LED} = 0.2/R_3$

The output Current is given by the following table.

R3(Ω)	I _{LED} (mA)
10	20
6.8	30
5.1	40

As the input voltage approaches the LED forward voltage, the PAM2841 turns the P-Channel transistor continuously on. In this mode the Voltage drop on LED is equal to the input voltage minus the voltage drop across the P-Channel transistor, Inductor and current resistor:

$$V_{LEDDROP} = V_{IN} - I_{LED}(R_{DS(ON)} + R_L + R_S)$$

where $R_{DS(ON)}$ = P-Channel switch ON resistance, I_{LED} = LED current, R_L = Inductor DC Resistance, R_S = Inductor DC Resistance.

Thermal Shutdown

When the die temperature exceeds +150°C, a reset occurs and the reset remains until the temperature decrease to +120°C, at which time the circuit can be restarted.

PCB Layout Guidelines

Decoupling Capacitors

(1) The capacitors (C2) need to place very close to the PAM2841's pins.

Grounding

(1) The decoupling capacitors C2, C4 should each to be grounded to analog ground AGND;

(2) The capacitors C1, C3, R2 and R3 should each be grounded to power ground PGND;

(3) Connect the AGND and PGND islands by connecting the GND pins directly to the exposed backside pad. Make no other connections between these separate ground planes.

Others

(1) Connect L1, SW, D1, C3 with short and wide connections;

(2) Place the OVP voltage setting-divider resistors (R1, R2) as close to the OV pin as possible. The divider's center trace should be kept short;

(3) Minimize the size of the SW node while keeping it wide and short. Keep the SW node away from the feedback node and ground;

(4) Place the FB resistor (R3) as close to the FB pin as possible.

IMPORTANT NOTICE

DIODES INCORPORATED MAKES NO WARRANTY OF ANY KIND, EXPRESS OR IMPLIED, WITH REGARDS TO THIS DOCUMENT, INCLUDING, BUT NOT LIMITED TO, THE IMPLIED WARRANTIES OF MERCHANTABILITY AND FITNESS FOR A PARTICULAR PURPOSE (AND THEIR EQUIVALENTS UNDER THE LAWS OF ANY JURISDICTION).

Diodes Incorporated and its subsidiaries reserve the right to make modifications, enhancements, improvements, corrections or other changes without further notice to this document and any product described herein. Diodes Incorporated does not assume any liability arising out of the application or use of this document or any product described herein; neither does Diodes Incorporated convey any license under its patent or trademark rights, nor the rights of others. Any Customer or user of this document or products described herein in such applications shall assume all risks of such use and will agree to hold Diodes Incorporated and all the companies whose products are represented on Diodes Incorporated website, harmless against all damages.

Diodes Incorporated does not warrant or accept any liability whatsoever in respect of any products purchased through unauthorized sales channel.

Should Customers purchase or use Diodes Incorporated products for any unintended or unauthorized application, Customers shall indemnify and hold Diodes Incorporated and its representatives harmless against all claims, damages, expenses, and attorney fees arising out of, directly or indirectly, any claim of personal injury or death associated with such unintended or unauthorized application.

Products described herein may be covered by one or more United States, international or foreign patents pending. Product names and markings noted herein may also be covered by one or more United States, international or foreign trademarks.

This document is written in English but may be translated into multiple languages for reference. Only the English version of this document is the final and determinative format released by Diodes Incorporated.

LIFE SUPPORT

Diodes Incorporated products are specifically not authorized for use as critical components in life support devices or systems without the express written approval of the Chief Executive Officer of Diodes Incorporated. As used herein:

A. Life support devices or systems are devices or systems which:

1. are intended to implant into the body, or
2. support or sustain life and whose failure to perform when properly used in accordance with instructions for use provided in the labeling can be reasonably expected to result in significant injury to the user.

B. A critical component is any component in a life support device or system whose failure to perform can be reasonably expected to cause the failure of the life support device or to affect its safety or effectiveness.

Customers represent that they have all necessary expertise in the safety and regulatory ramifications of their life support devices or systems, and acknowledge and agree that they are solely responsible for all legal, regulatory and safety-related requirements concerning their products and any use of Diodes Incorporated products in such safety-critical, life support devices or systems, notwithstanding any devices- or systems-related information or support that may be provided by Diodes Incorporated. Further, Customers must fully indemnify Diodes Incorporated and its representatives against any damages arising out of the use of Diodes Incorporated products in such safety-critical, life support devices or systems.

Copyright © 2015, Diodes Incorporated

www.diodes.com