

User's Guide for CV and xHCI test in USB3.0 compliance workshop

Table of Contents

- 1.0 Introduction
- 2.0 Equipment
- 3.0 Installation Procedure
- 4.0 Measurement Procedure
- 5.0 Appendix – Application Reference Schematics and layout

1.0 Introduction

This user's guide describes the procedure for installing and performing the CV and xHCI test.

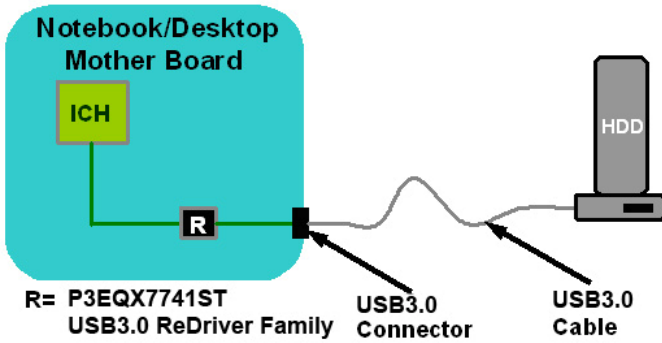


Figure 1 Typical Application in Notebook and Desktop

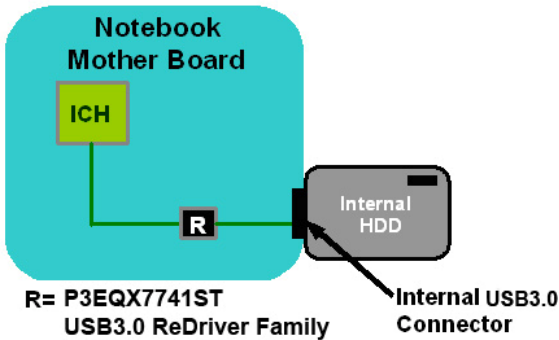


Figure 2. A Typical Application in Notebook

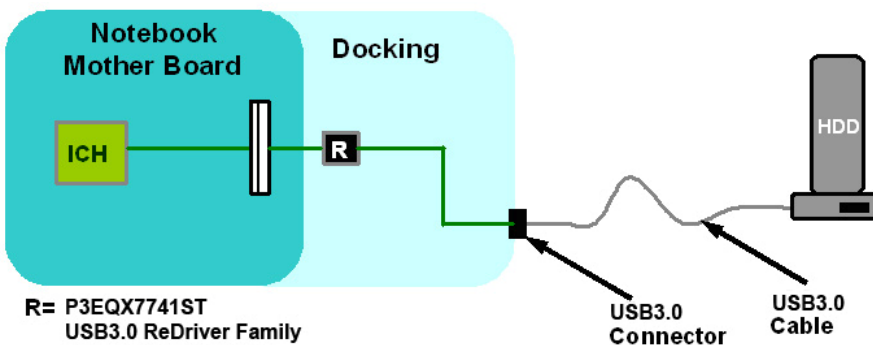


Figure 3. A Typical Application in Notebook with Docking

2.0 Equipment

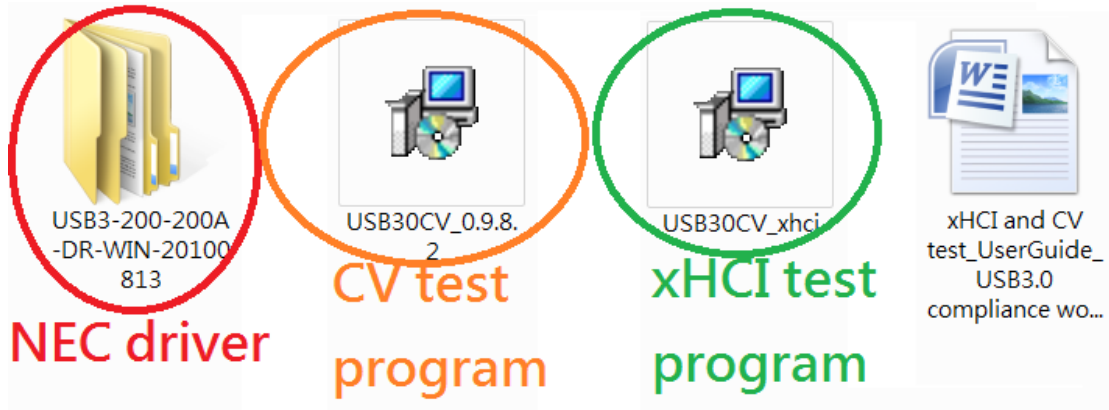
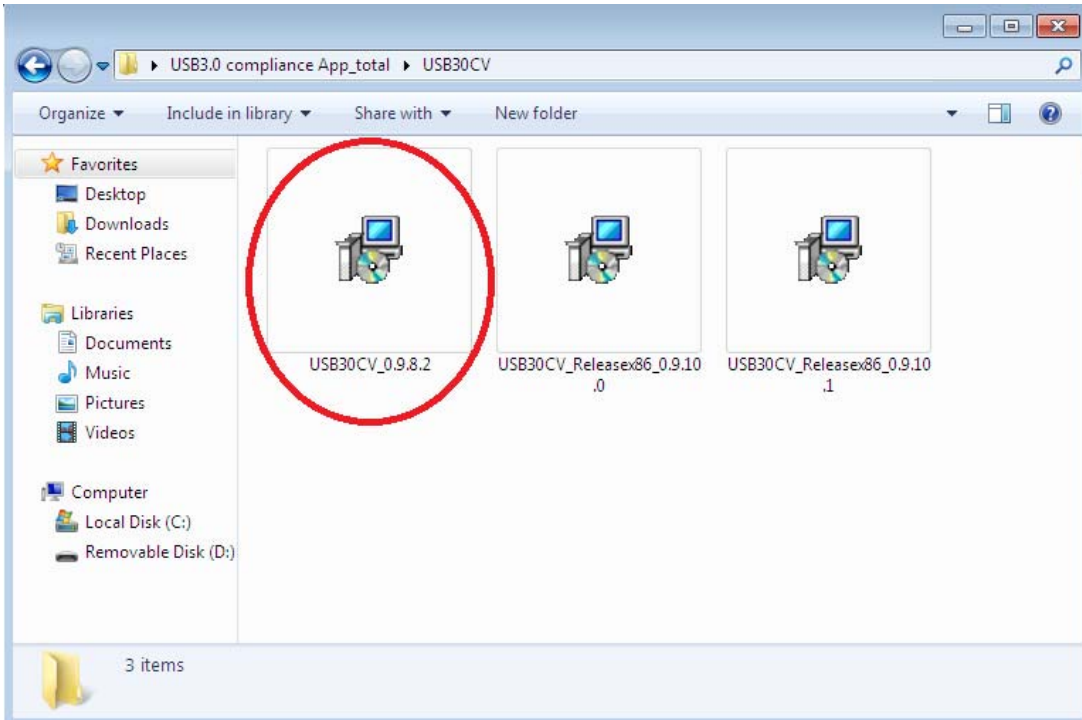


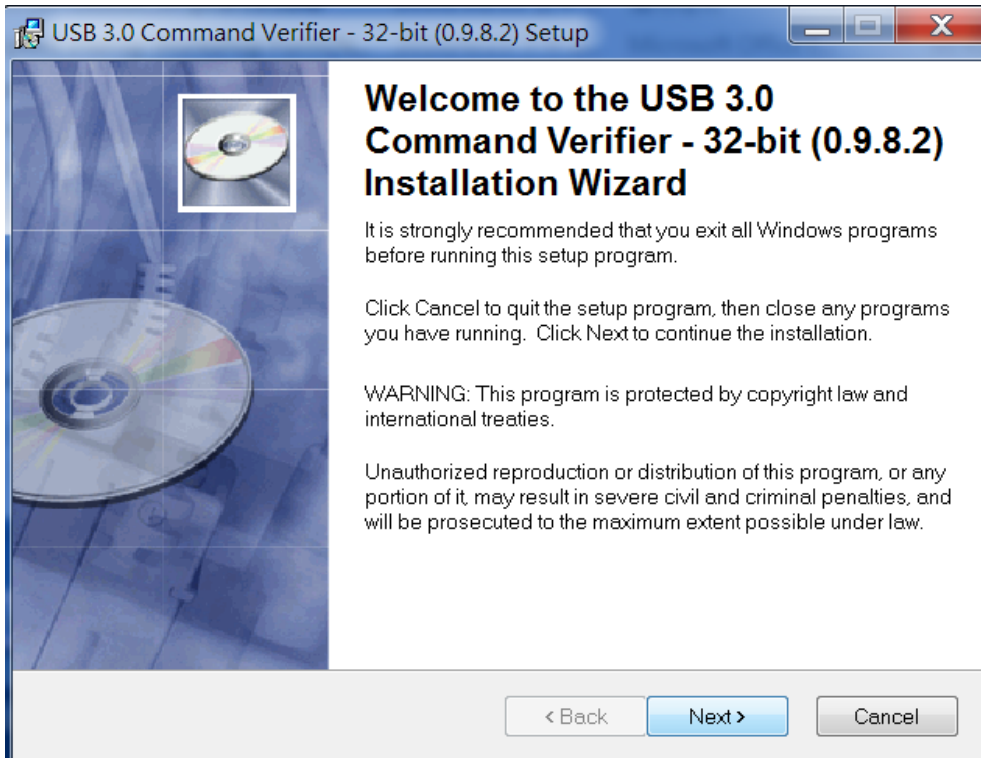
Figure 1 Installation files

1. CV test program from USB-IF web side: USB30CV_0.9.8.2.msi
2. Driver for USB3.0 host controller driver (normal): NEC.host.driver.USB3-200-200A-DR-WIN-20100813
3. Download “usb.if” file from webside (http://www.usb.org/developers/tools/comp_dump) and put it into “USBCV/lib” folder
4. Please see the Readme file for driver location (this driver should be used for CV & xHCI test):
5. xHCI test program from USB-IF org Diane Rose: USBCV_xHCI.msi

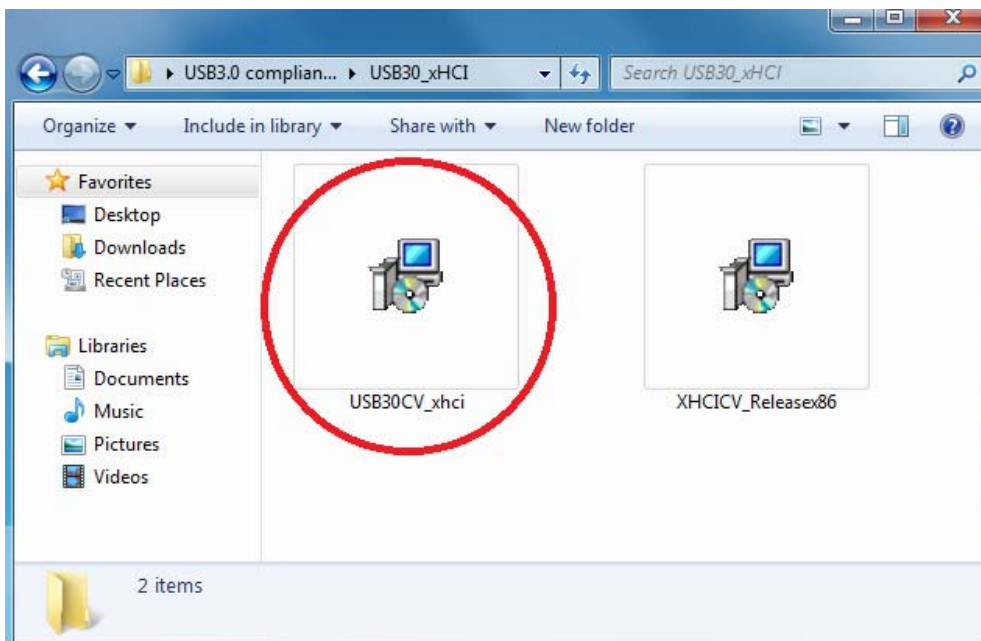
3.0 Installation Procedure

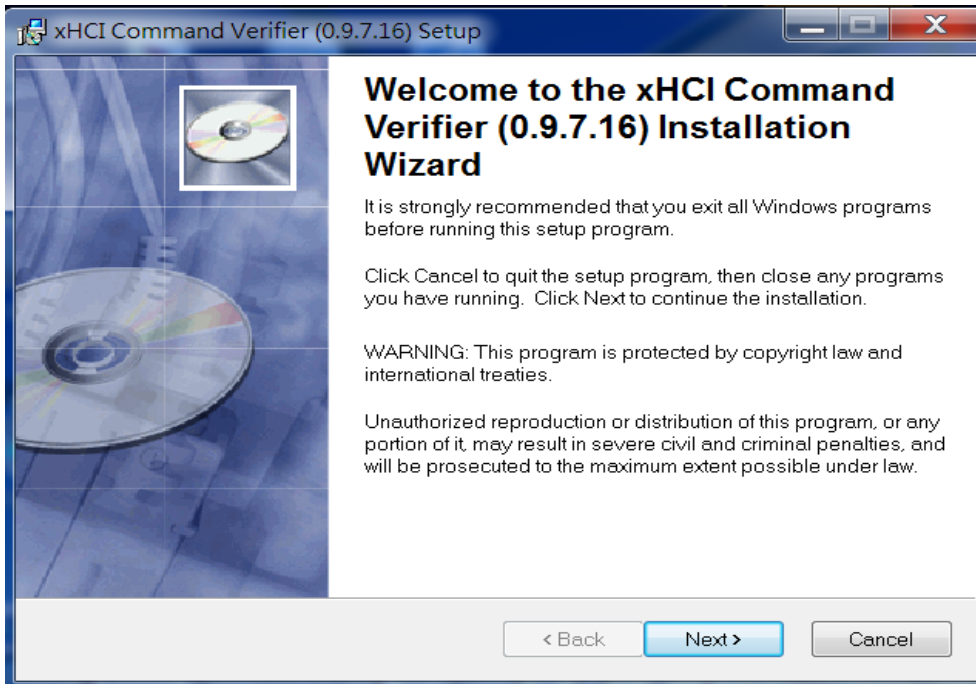
Step 1: First, install “USB30 CV_ 0.9.8.2” (CV test latest version)





Step2: install "USB30 CV_xhci"(version 0.9.7.16)





4.0 Measurement Procedure

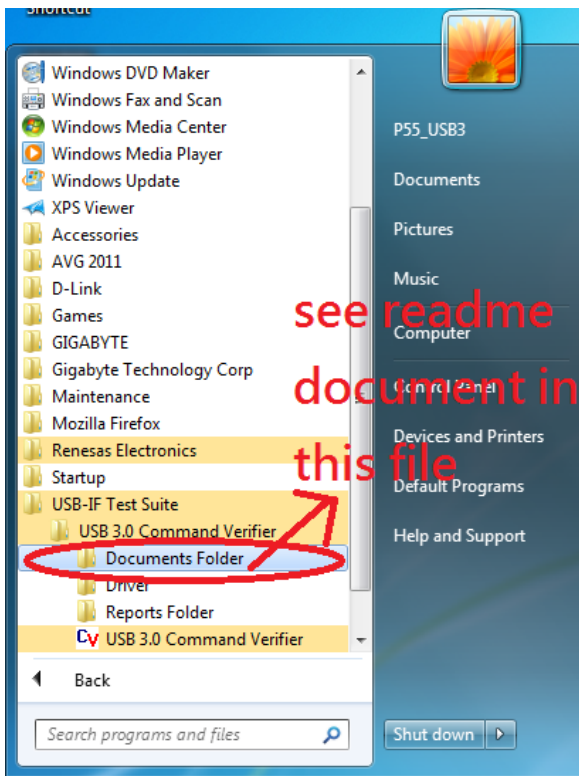
Reminder:

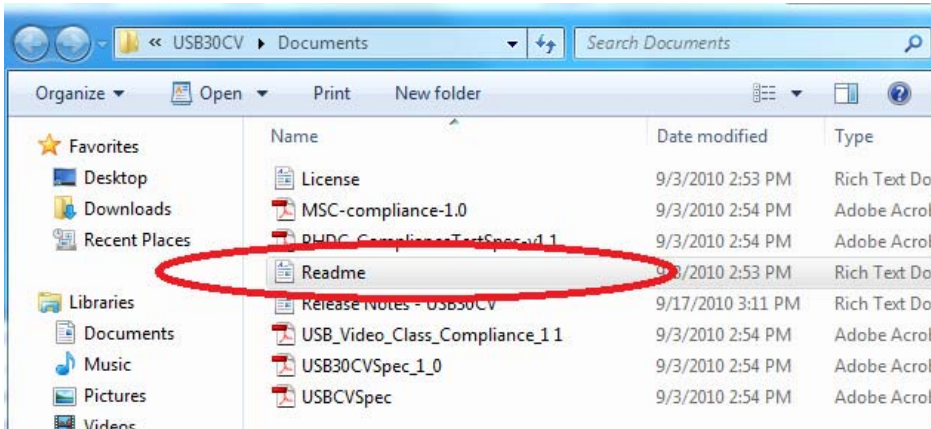
1. In CV and xHCI test, the host controller driver should be changed to “xHCI Compliance Test Host Controller”. Please see details below.
2. In CV and xHCI test, there only can be “one” USB3.0 host controller on MB. If there is already another USB3.0 controller on MB, it should be disabled, and then you can perform the CV and xHCI test to the one on USB3.0 host card.

Step 1:

After installing the CV and xHCI test program, see the readme file in the “Documents File” folder.

Download “usb.if” file from: http://www.usb.org/developers/tools/comp_dump, and then put the file in “USBCV/lib” folder.





USB30CV - README

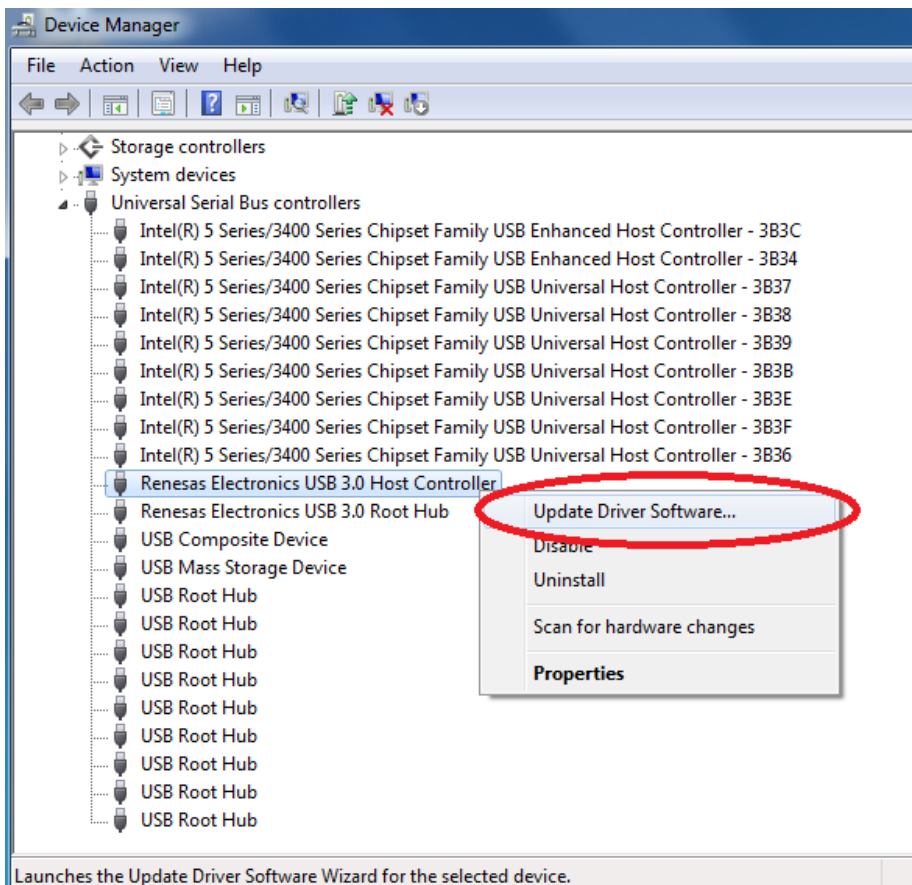
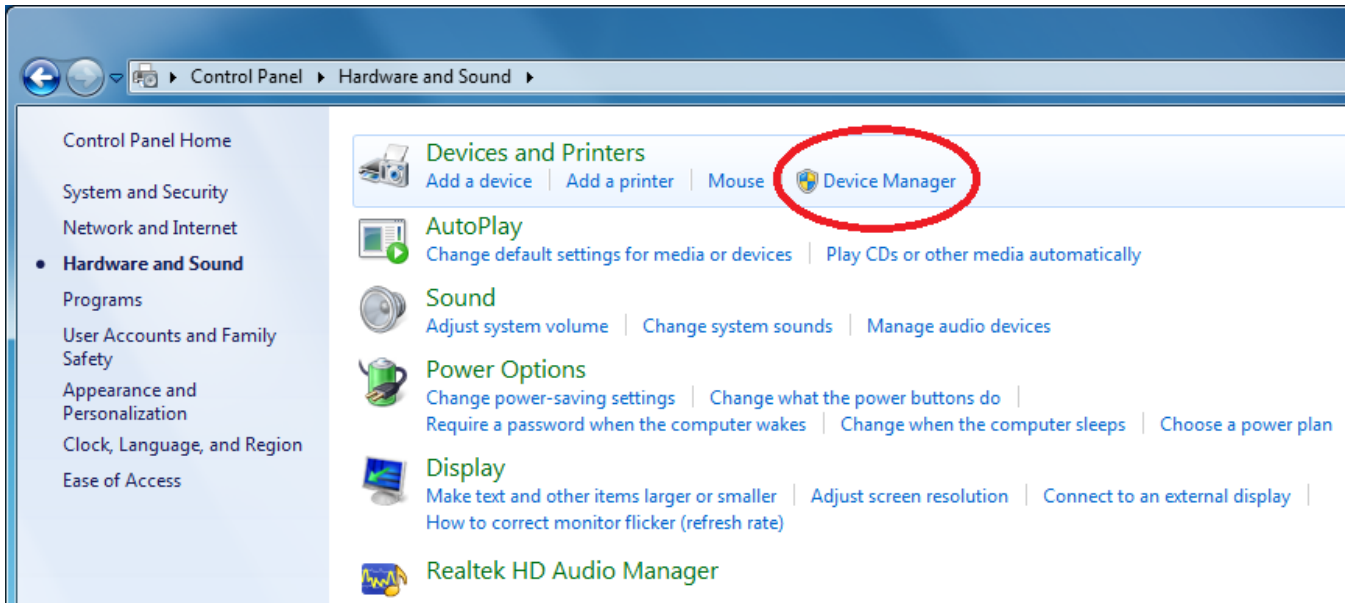
Please see ReleaseNotes.rtf for details of changes in this Release.

In order for you to operate the USB30CV properly, you must follow these steps:

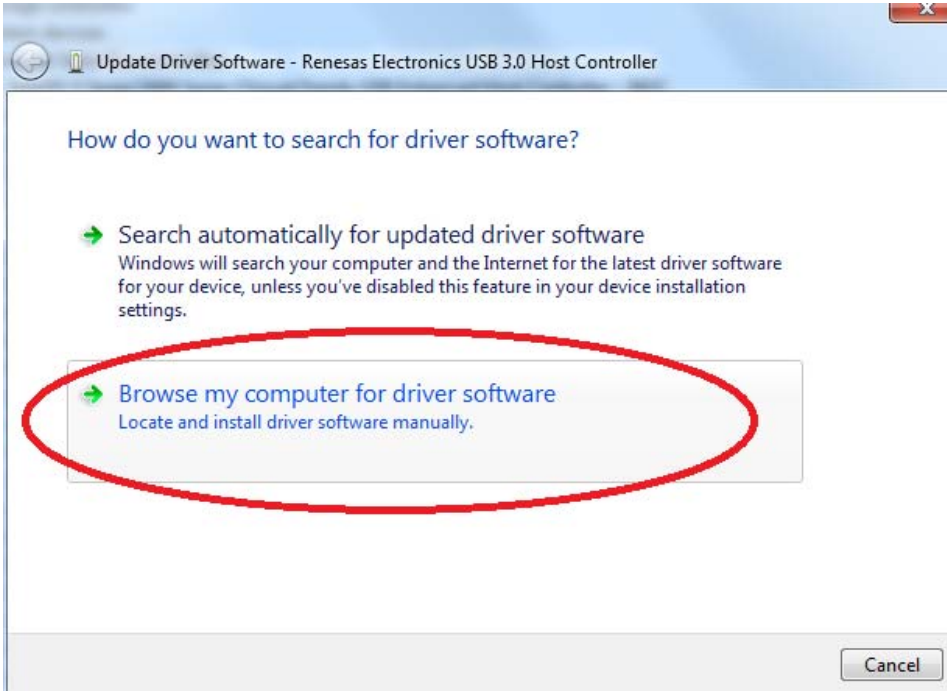
- 1.) In order to use USB30CV, User Account Control (UAC) must be turned off. After turning off UAC, the system must be rebooted in order for the changes to take effect.
- 2.) On the 64-bit edition of Windows 7, you must disable Driver Signature Enforcement in order to use USB30CV. At system start-up, press F-8 for *Advanced Boot Options* screen, then select *Disable Driver Signature Enforcement*.
- 3.) Download the file **usb.if** from the USB-IF Tools website:
http://www.usb.org/developers/tools/comp_dump
 Place this file inside of the USB30CV/lib folder
- 4.) Before running USB30CV, install the xHCI Compliance driver (xHCldr.sys). This driver is located in the **Program Files\USB-IF Test Suite\USB30CV\Driver\Host** folder. For more information on how to install the driver, please refer to the PDK Technical guide located at the USB-IF SuperSpeed Tools website:
<http://www.usb.org/developers/ssusb/ssusbtools>

download "usb.if" file in this address, and put it into USBCV/lib folder

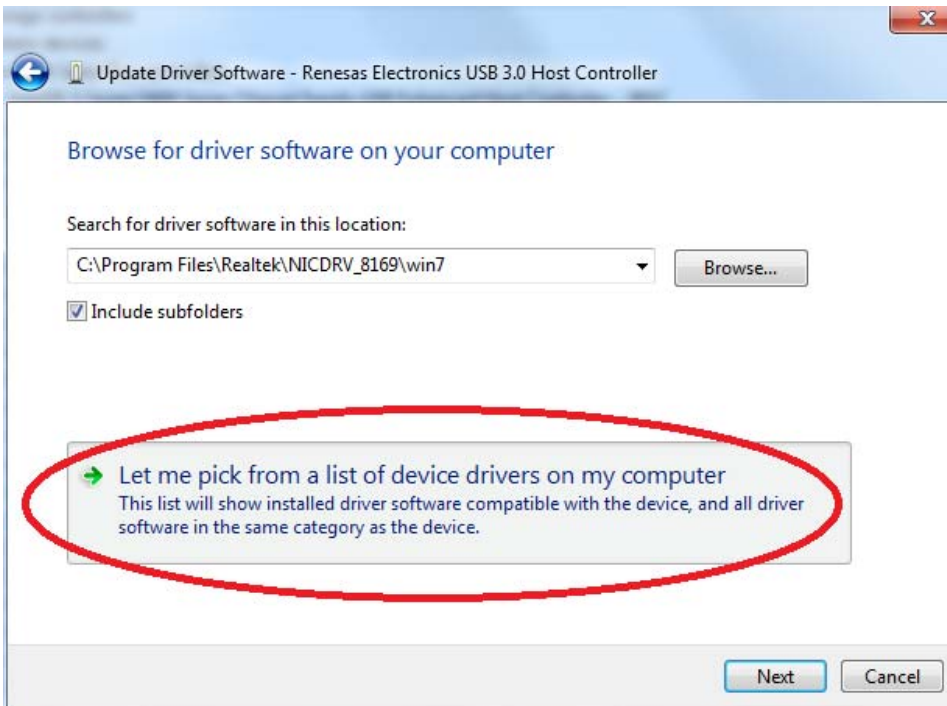
Step 2: Change the host card driver for test only



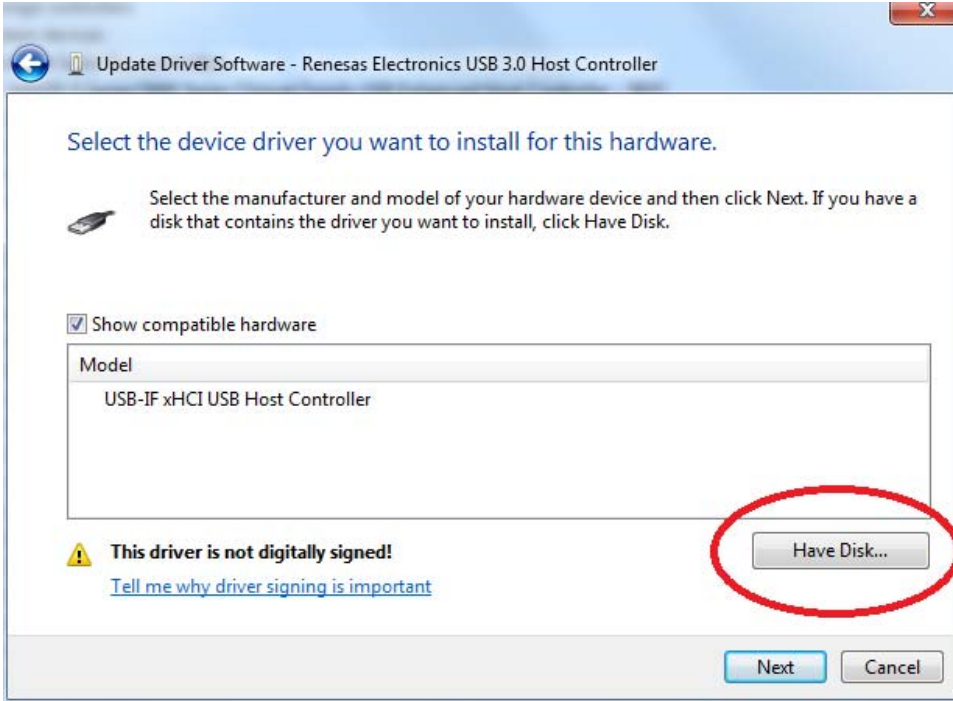
Step 3:



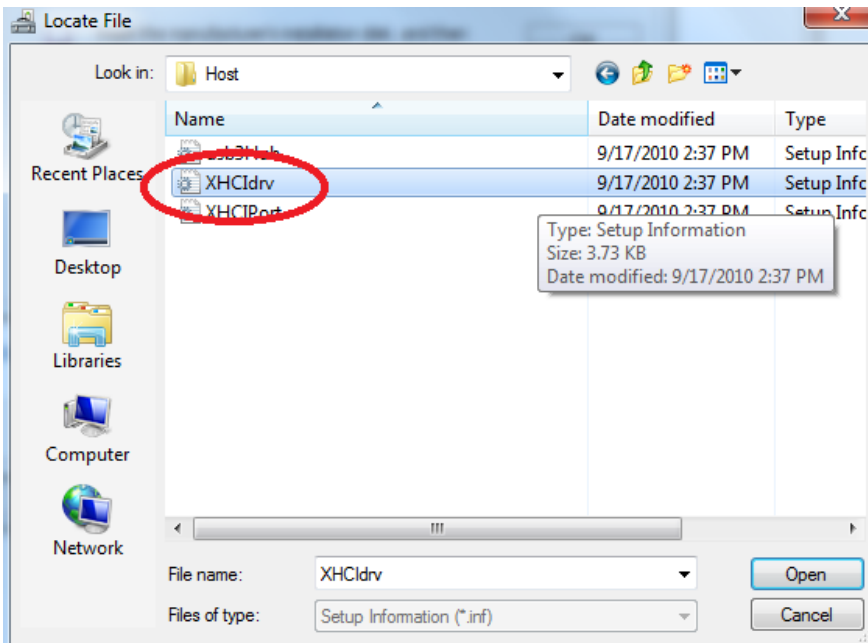
Step 4:



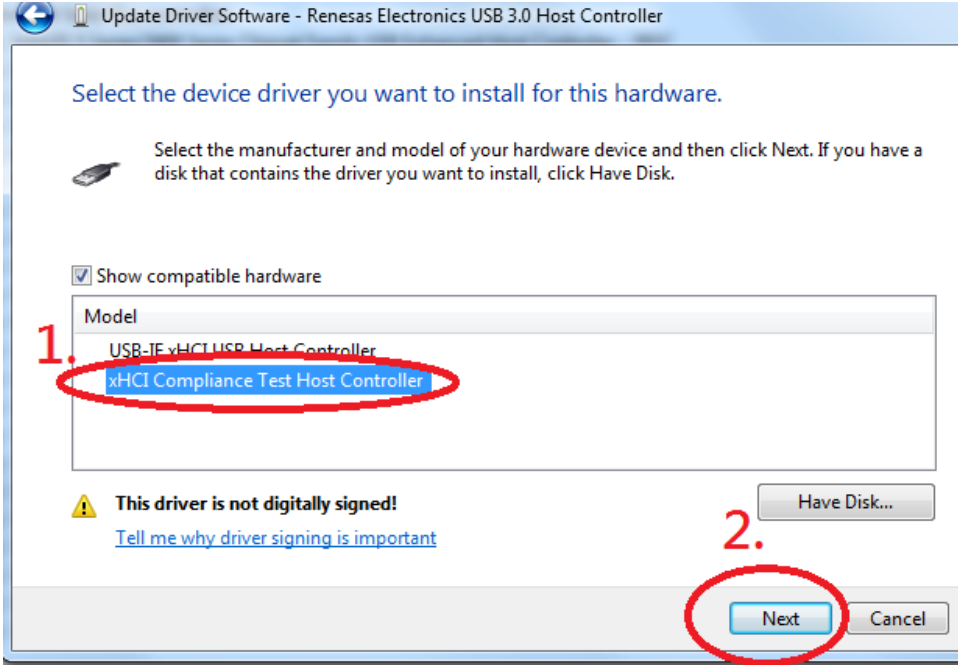
Step 5:



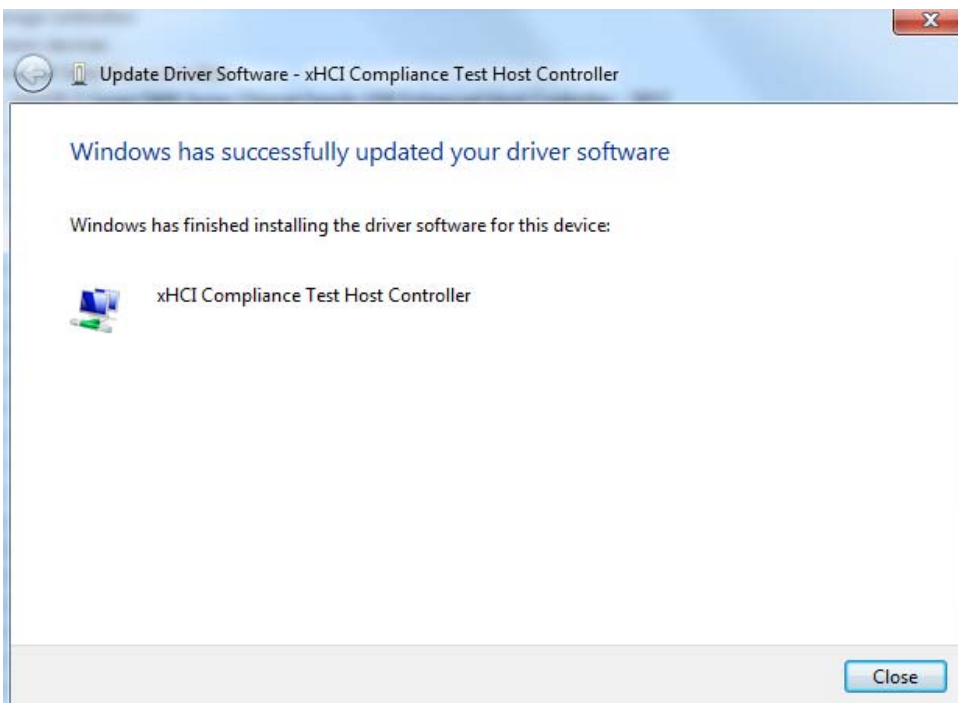
Step 6: The driver is located in: Program Files\USB-IF Test Suite\USB30CV\Driver\Host folder



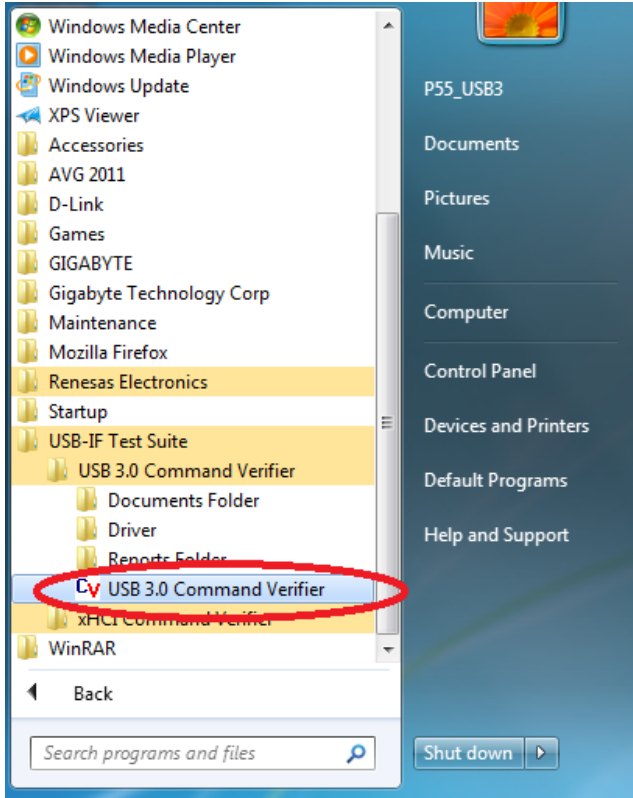
Step 7:

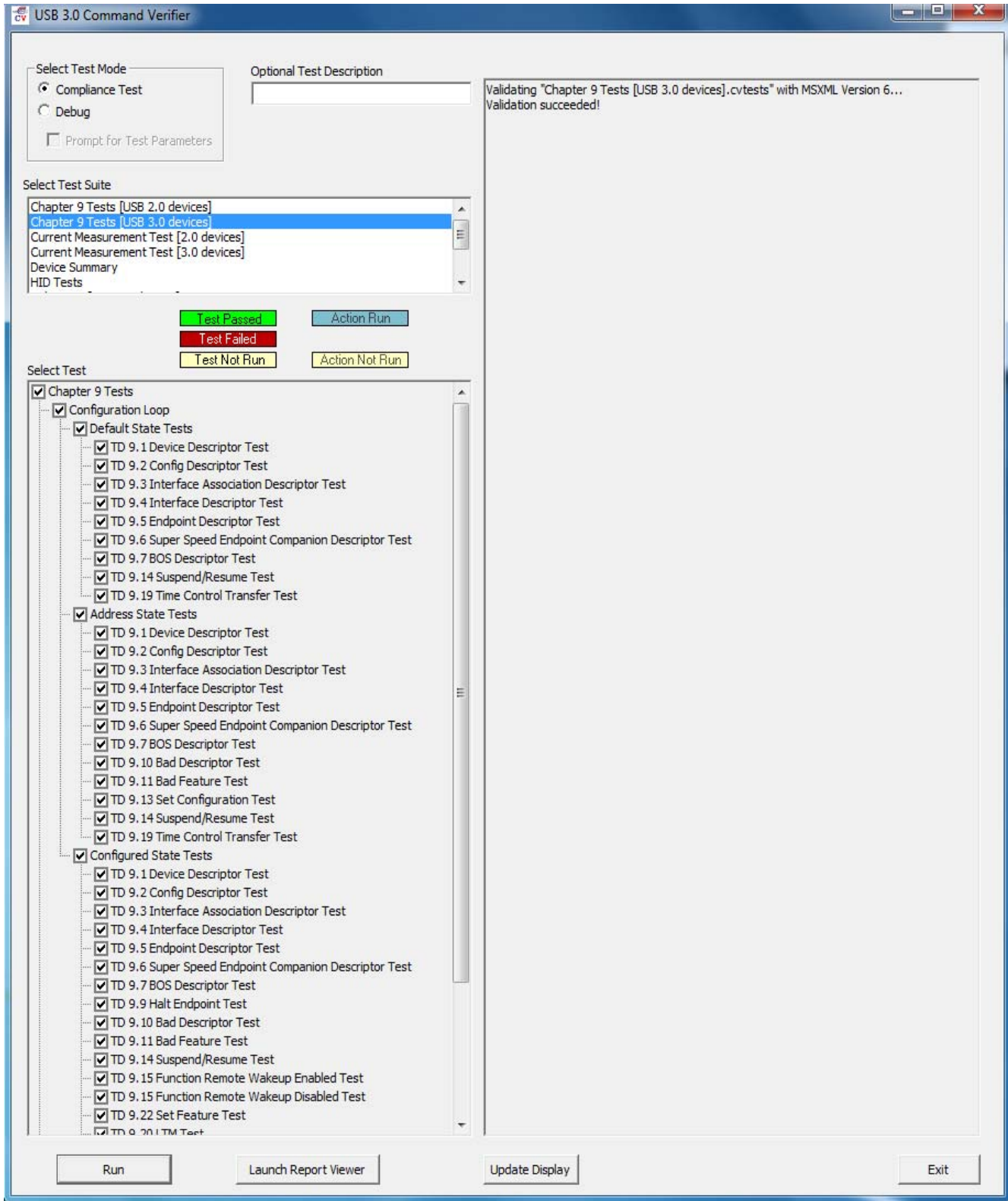


Step 8: Finish the driver update for test



Step 9: CV test





Step 10: xHCI test

